
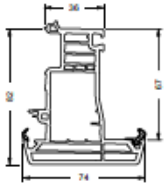
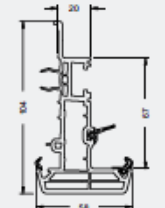
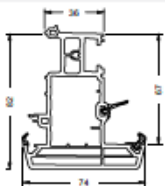


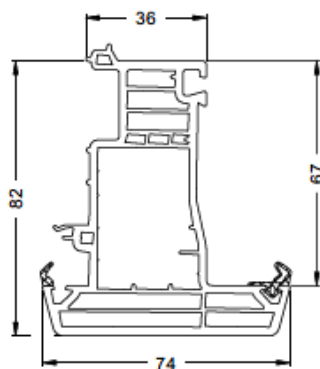
# Stulpprofile

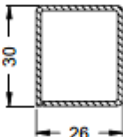
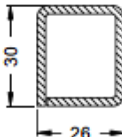
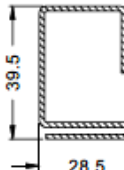
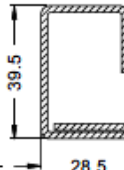
## Meeting stile profiles

Art.-Nr. Art. No.	Abbildung Illustration	Benennung Description		
19473...		Stulpprofil 74 AS Double-vent profile 74 AS	AS	72
19471...		Stulpprofil 58 MD Double-vent profile 58 MD	AS MD	73
19472...		Stulpprofil 74 MD Double-vent profile 74 MD	AS MD	74

Stulpprofil 74 AS ■ Double-vent profile 74 AS

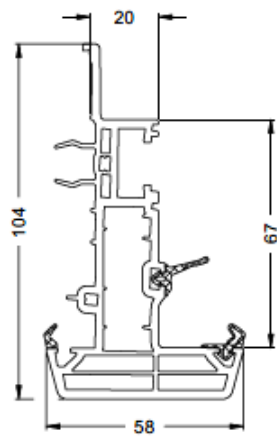
19473...

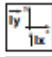
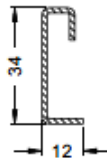
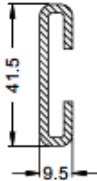




	20271700	20271800	20273700	20273800
				
$I_y$	$I_y = 2.01$	$I_y = 2.94$	$I_y = 4.58$	$I_y = 6.01$
$I_x$	$I_x = 1.6$	$I_x = 2.33$	$I_x = 1.92$	$I_x = 2.43$
$t$	1.5 mm	2.5 mm	1.5 mm	2 mm
$L$	6 m	6 m	6 m	6 m

Stulprofil 58 MD ■ Double-vent profile 58 MD

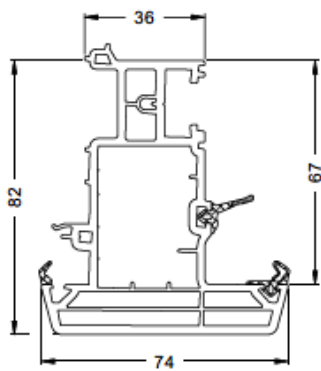
19471...


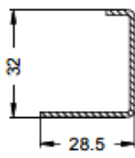
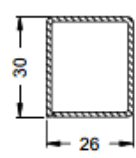
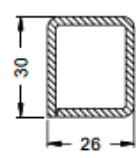
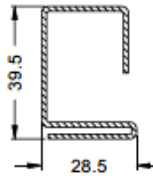




	20273600	20272800
		
$I_x$	1.32	3.38
$I_y$	0.11	0.2
	1.5 mm	2.5 mm
	6 m	6 m

Stulprofil 74 MD ■ Double-vent profile 74 MD

19472...



	20271500	20271700	20271800	20273700
				
$I_x$	1.35	2.01	2.94	4.58
$I_y$	0.72	1.6	2.33	1.92
	1.5 mm	1.5 mm	2.5 mm	1.5 mm
	6 m	6 m	6 m	6 m