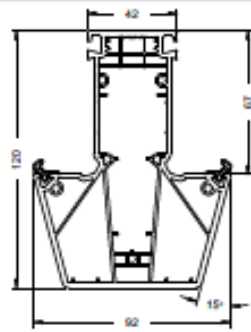


T-Profile ■ T-profiles

19468...



92

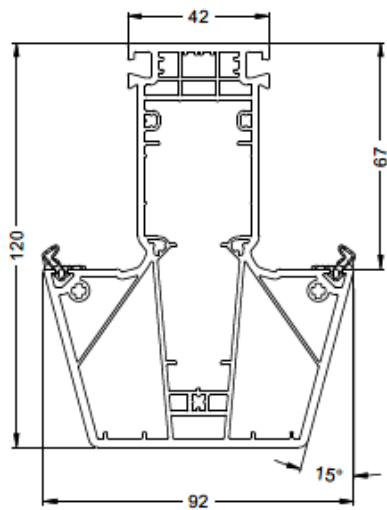
191

375

4,63

Art.-Nr. Art. No.	Abbildung Illustration	Ansichtsbreite Face width	Schenkellänge Leg length		Bruchkraft Breaking force
		(mm)	innen Inside	außen Outside	F_{Stell} (kN)
			L_1 (mm)	L_2 (mm)	
19469...		92	191	375	5,51
19460...		72	211	355	1,96
19461...		92	191	375	3,89
19462...		112	171	395	5,35

19468...

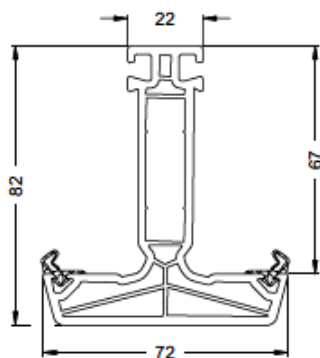


20272900	20273000	20273100	20285900	20285700
$I_y = 3.73$ $I_z = 2.34$	$I_y = 5.65$ $I_z = 3.13$	$I_y = 6.6$ $I_z = 3.66$	$I_y = 5.65$ $I_z = 3.47$	$I_y = 6.44$ $I_z = 3.92$
1.5 mm	2 mm	2.5 mm	2.5 mm	3 mm
6 m	6 m	6 m	6 m	6 m

20129200	20129300	20274700	20286700
$I_y = 20.99$ $I_z = 1.73$	$I_y = 32.79$ $I_z = 2.5$	$I_y = 2.53$ $I_z = 1.07$	$I_y = 2.92$ $I_z = 1$
1.5 mm	2.5 mm	2 mm	2 mm
6 m	6 m	6 m	6 m

Flügelprosse 82/72 ■ Vent sash bar 82/72

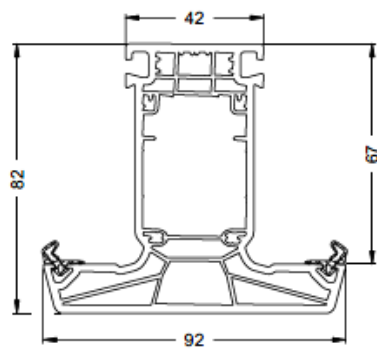
19460...



20272800
$I_y = 3.38$ $I_z = 0.2$
2.5 mm
6 m

T-Profil 82/92 AS ■ T-profile 82/92 AS

19461...



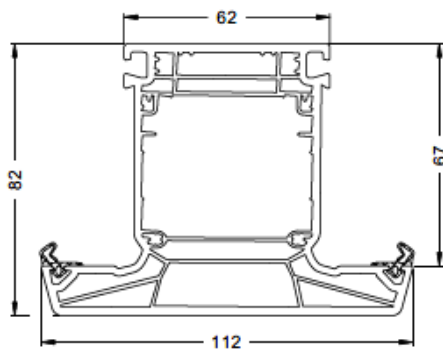
	20272900	20273000	20273100	20285900	20285700
I_x	3.73	5.65	6.6	5.65	6.44
I_y	2.34	3.13	3.66	3.47	3.92
Wall thickness	1.5 mm	2 mm	2.5 mm	2.5 mm	3 mm
Length	6 m	6 m	6 m	6 m	6 m

	20271700	20271800
I_x	2.01	2.94
I_y	1.6	2.33
Wall thickness	1.5 mm	2.5 mm
Length	6 m	6 m

T-Profil 82/112 AS ■ T-profile 82/112 AS

19462...

19463160 Lieferlänge: 6,5 m ■ Stock length: 6.5 m



	20273200	20273300	20273400
I_x	5.79	9.05	10.68
I_y	8.01	11.5	13.71
Wall thickness	1.5 mm	2 mm	2.5 mm
Length	6 m	6 m	6 m

	20286000	20285800
I_x	8.91	10.25
I_y	12.34	14.18
Wall thickness	2.5 mm	3 mm
Length	6 m	6 m